

IMPORTANT – CARE OF YOUR PRODUCT

AFTER INSTALLATION

After installation we strongly recommend that the fitting be securely covered to prevent contamination or damage by any form of building materials such as paint, plaster, tile adhesive, grout or sealants until all building and finishing work is completed.

CLEANING

After use all finishes should be maintained by wiping with a soft, damp, clean cloth and then polished using a soft dry duster. No abrasive powder, detergents or polishes should be used, cleansers containing alcohol, acid or corrosive chemicals should NOT be used

NOTE

All metal finishes need extra care both during installation and with daily use. Clean and wash regularly with a soft cloth and warm water. If soap is required, please do not use anything stronger than Sunlight Liquid. Do not clean with abrasive solutions, e.g. Handy Andy.

If these instructions are followed we believe this fitting will give many years of satisfactory use.

We have a policy of continuous improvement and reserve the right to change specifications without notice.

VICTORIAN BATHROOMS

Cape Town Showroom & Warehouse
18 Marine Drive, Cnr Hermes Street, Paarden Eiland
021 418 0855

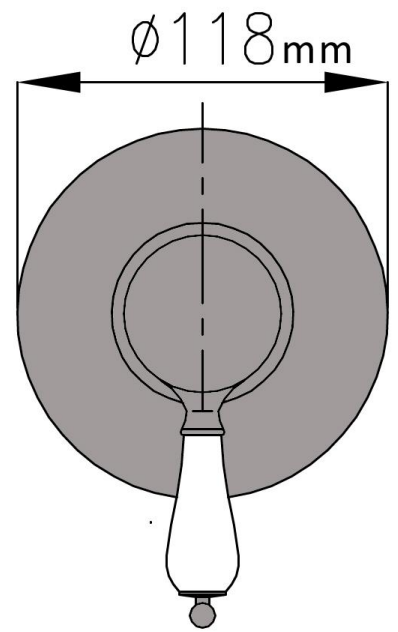
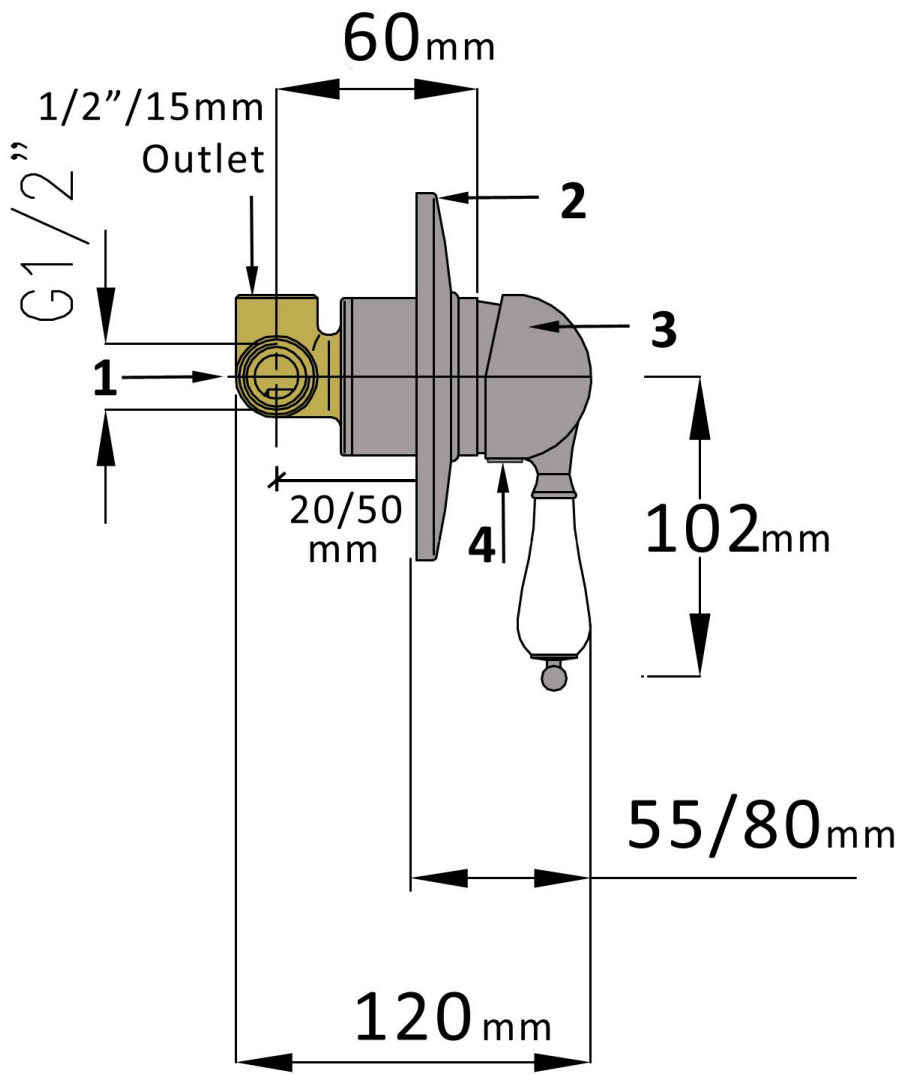
VICTORIAN BATHROOMS

— Est. 1989 —

INSTALLATION & USER INSTRUCTIONS

THE BRITANNIA RANGE
SHOWER MIXER 23007101/ 23007109





Britannia Shower Mixer

WATER REGULATIONS

The taps should be installed in compliance with the water regulations applying to the Local or National Building Regulations.

DZR – dezincification resistant brass is the name given to brass that has exceptional resistance to corrosion. The letters DZR etched onto the tap body indicates that it is made from dezincified brass as per local building regulations.

INSTALLATION

- A. Flush all pipework before installing the mixer
- B. Connect Hot water supply (1) to the 15mm female inlet on the LEFT and COLD-water supply (1) to the 15mm female inlet on the RIGHT. The 15mm female outlet situated at the top of the mixer is for the mixed water to be fed to desired outlet.
- C. Slide the 118mm diameter chrome cover plate (2) over the chrome sleeve on the body.
- D. Push handle (3) onto the square plastic post protruding from the cartridge and using the correct sized Alan key, carefully tighten the grub screw (4) to secure the handle in place.
- E. Re attach chrome cap (4)

OPERATION:

Lift hand to open the water flow. For warmer water move handle to the left. For colder water move handle to the right.

MAINTENANCE

Ceramic Disc Headwork – High Pressure

We recommend a 400 KPA geyser with balanced pressure.

Should a tap drip when fully turned off, turn off the main water supplies and remove the cartridge.

After usage should the seating become worn or the ceramic disc cracked, replace with the correct ½” cartridge.