

IMPORTANT – CARE OF YOUR PRODUCT

AFTER INSTALLATION

After installation we strongly recommend that the fitting be securely covered to prevent contamination or damage by any form of building materials such as paint, plaster, tile adhesive, grout or sealants until all building and finishing work is completed.

CLEANING

After use all finishes should be maintained by wiping with a soft, damp, clean cloth and then polished using a soft dry duster. No abrasive powder, detergents or polishes should be used, cleansers containing alcohol, acid or corrosive chemicals should NOT be used

NOTE

All metal finishes need extra care both during installation and with daily use. Clean and wash regularly with a soft cloth and warm water. If soap is required, please do not use anything stronger than Sunlight Liquid. Do not clean with abrasive solutions, e.g. Handy Andy.

If these instructions are followed we believe this fitting will give many years of satisfactory use.

We have a policy of continuous improvement and reserve the right to change specifications without notice.

The logo for Victorian Bathrooms features a large, stylized, light-colored monogram 'VB' in the background. Overlaid on this is the text 'VICTORIAN BATHROOMS' in a classic, serif, all-caps font. The text is centered horizontally and positioned above a thin horizontal line.
VICTORIAN BATHROOMS

Cape Town Showroom & Warehouse
18 Marine Drive, Cnr Hermes Street, Paarden Eiland
021 418 0855

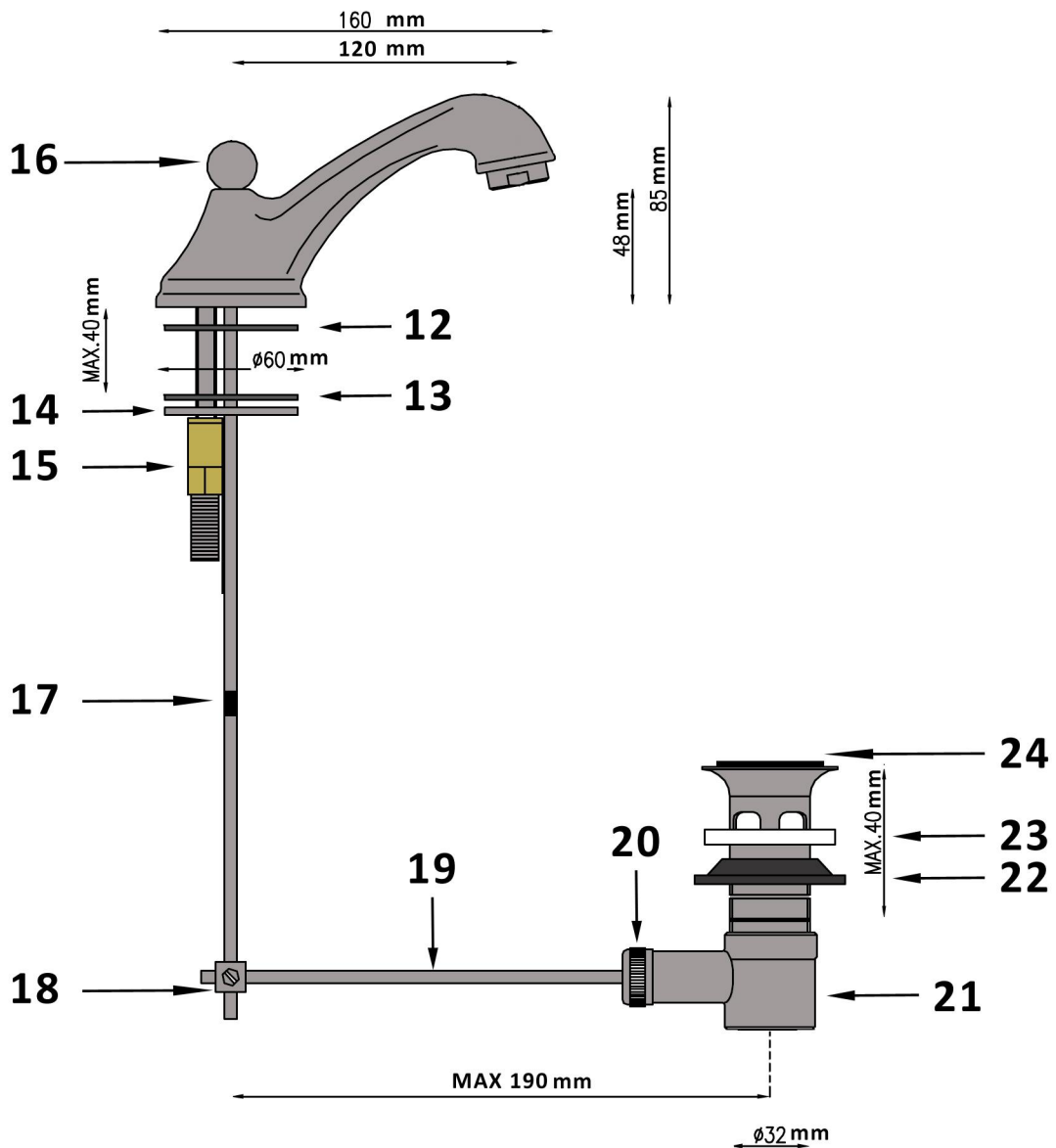
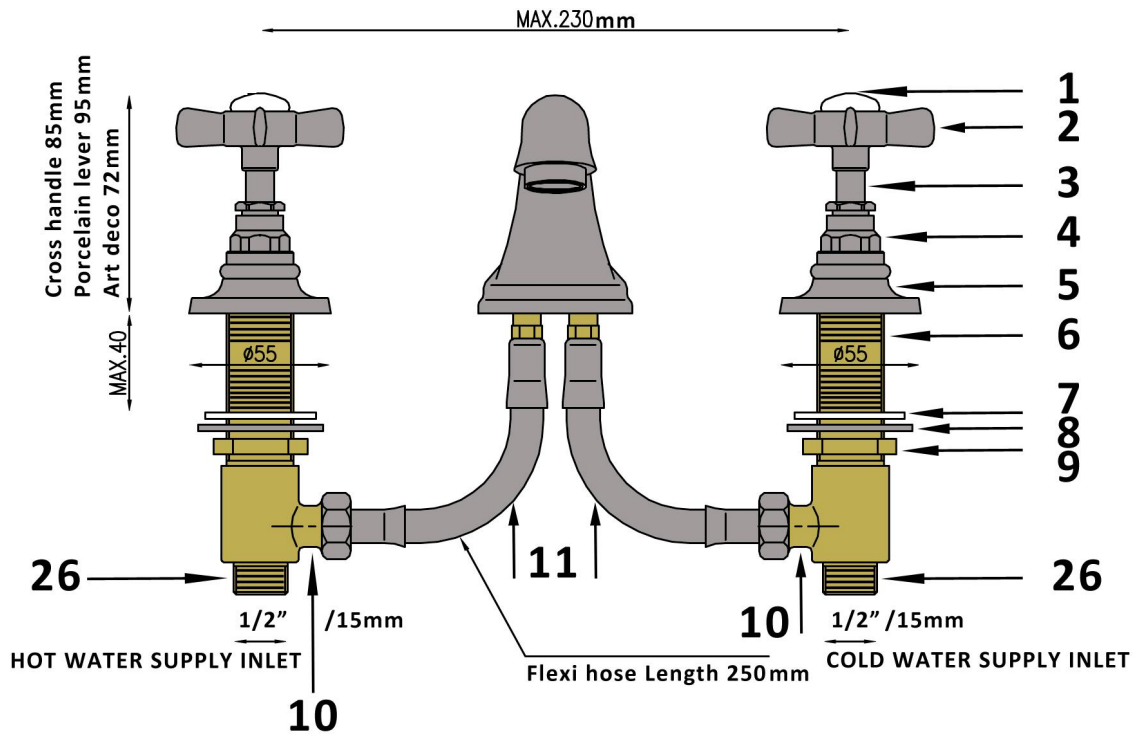
VICTORIAN BATHROOMS

— Est. 1989 —

INSTALLATION & USER INSTRUCTIONS

THE BRITANNIA RANGE
THREE HOLE BASIN MIXER 23004201





WATER REGULATIONS

The taps should be installed in compliance with the water regulations applying to the Local or National Building Regulations.

DZR – dezincification resistant brass is the name given to brass that has exceptional resistance to corrosion. The letters DZR etched onto the tap body indicates that it is made from dezincified brass as per local building regulations.

INSTALLATION

It is recommended, wherever possible, this fitting is assembled onto the basin before the basin is secured to the wall. It is also recommended that all the pipework is flushed clean BEFORE connecting to the faucet.

INSTALLING THE SIDE VALVES

- A. To remove the tap heads, remove indice (1) by looking for the small hole under the tap head, use a thin allen key to go through the hole and push the indice out of the tap head. If the side valve has a lever instead of a tap head, screw off indice and with a star screw driver remove screw.
- B. Remove screw, pull off handle (2) and chrome spline (3).
- C. Unscrew shroud (4).
- D. Unscrew base flange (5).
- E. Pass the cold-water side valve body (6) through the right-hand basin hole from underneath ensuring that the white rubber washer (7), the stainless-steel metal washer (8) and the brass locknut (9) are all positioned on the underside of the basin.
- F. Holding the side valve body up underneath the basin, screw the large base flange (5), back onto the side valve from the top surface of the basin. Make sure the soft rubber washer is snug under the base flange.
- G. Replace shroud (4) and secure.
- H. Now screw the base flange (5) back up to under the shroud (4).
- I. Tighten brass back nut (9) to secure side valve in place. Please make sure the thread of the 15mm side valve outlet (10) is pointing towards the centre hole i.e. the spout.
- J. Replace spline (3), screw, handle and indice or lever assembly.
- K. Repeat this process for the hot water supply side valve on the left-hand basin hole.

INSTALLING THE SPOUT

- A. Remove brass cylinder nut (15), steel 'horse shoe' fixing (14) and black rubber 'horse shoe' washer. First push the flexi hoses through the centre hole and then the spout body. Make sure the black rubber washer is snug in place under the spout and against the ceramic basin surface.
- B. Holding the spout from above the basin, position the 'horse shoe' rubber washer (13) up under the basin onto the threaded bar, then the 'horse shoe' fixing (14) and then the brass cylinder nut. Tighten.
- C. Connect the spout flexi hoses (11) to each of the side valve outlets (10).

INSTALLING POP UP WASTE ASSEMBLY

- A. Pass the vertical pop up rod (16) through the hole in the top of the spout. If there is interference, check that the 'horse shoe' fixings are not causing a blockage.
- B. Screw bottom piece of vertical pop up rod (17) onto the top piece.
- C. Fit basin waste by separating the top waste piece (24) from the bottom waste piece (21) and remove thick black rubber washer, making sure it sits snugly on the bottom waste piece (21).
- D. Holding bottom waste piece (21) under the basin waste hole, screw from inside the basin bowl the top waste piece (24) with its soft white sponge washer.
- E. Connect the horizontal pop up rod (19) to the vertical pop up rod (17) using the connector block (18). The connecting block (18) is made up of a square block and a round block. Fasten the square block to the vertical rod (17) and the round block to the horizontal rod (19).
- F. Make sure the adjustment on the pop-up plug is correct by extending or reducing the threaded rod in the bottom of the plug. Use the brass locknut to secure the threaded rod in position.
- G. Connect the hot and cold-water supplies to the 15mm/1/2" male threads (26) at the bottom of each side valve. Turn on the water and check for any leaks.

MAINTENANCE

Screw Down Headwork – Low Pressure

Should a tap drip when fully turned off, turn off the water main supplies and remove the headwork to check that there is no debris embedded in the washer or lying across the seat. After use the washer may become worn and should be replaced by the correct ½" screw down cartridge.