

IMPORTANT – CARE OF YOUR PRODUCT

AFTER INSTALLATION

After installation we strongly recommend that the fitting be securely covered to prevent contamination or damage by any form of building materials such as paint, plaster, tile adhesive, grout or sealants until all building and finishing work is completed.

CLEANING

After use all finishes should be maintained by wiping with a soft, damp, clean cloth and then polished using a soft dry duster. No abrasive powder, detergents or polishes should be used, cleansers containing alcohol, acid or corrosive chemicals should NOT be used

NOTE

All metal finishes need extra care both during installation and with daily use. Clean and wash regularly with a soft cloth and warm water. If soap is required, please do not use anything stronger than Sunlight Liquid. Do not clean with abrasive solutions, e.g. Handy Andy.

If these instructions are followed we believe this fitting will give many years of satisfactory use.

We have a policy of continuous improvement and reserve the right to change specifications without notice.

VICTORIAN BATHROOMS

Cape Town Showroom & Warehouse
18 Marine Drive, Cnr Hermes Street, Paarden Eiland
021 418 0855

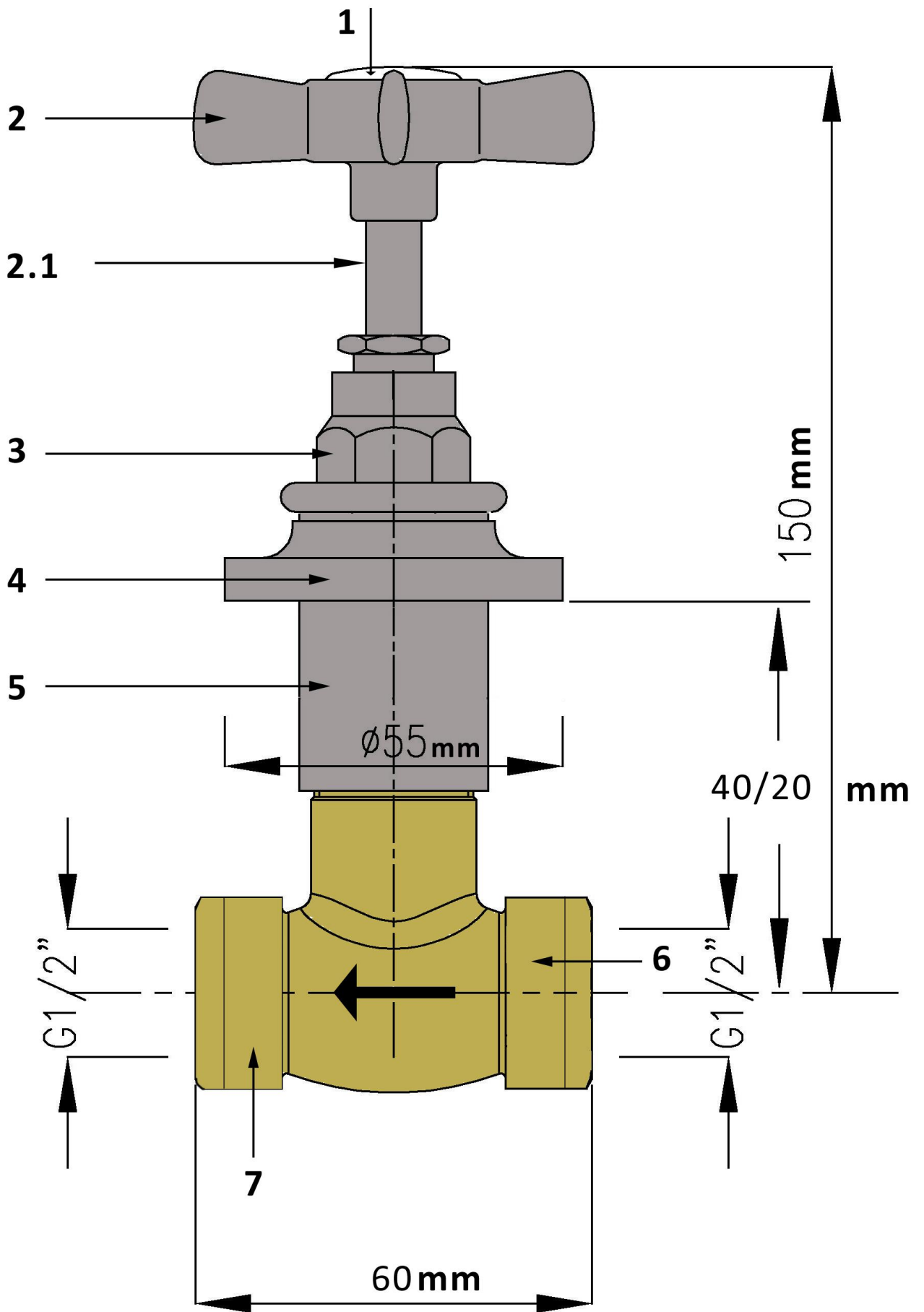
VICTORIAN BATHROOMS

— Est. 1989 —

INSTALLATION & USER INSTRUCTIONS

THE BRITANNIA RANGE
STOP TAP 23007811





Britannia Stop Tap

WATER REGULATIONS

The taps should be installed in compliance with the water regulations applying to the Local or National Building Regulations.

DZR – dezincification resistant brass is the name given to brass that has exceptional resistance to corrosion. The letters DZR etched onto the stop tap body indicates that it is made from dezincified brass as per local building regulations.

INSTALLATION

- A. To remove the indice (1), look for the hole under the tap head, use a thin alan key to go through the hole and push the indice out of the tap head.
Remove the screw
- B. Pull off handle (2) and chrome spline (2.1)
- C. Unscrew cartridge cover (shroud) (3)
- D. Remove sliding flange (4)
- E. Unscrew chrome sheath (5)
- F. Connect water supply to female threaded inlet (6) Water flow to follow the direction of the arrow embossed on the body of the stop tap (7) The sliding flange allows the installer to vary the depth of the stop tap in the wall by a maximum of 17mm.
- G. Once water supply is connected remove headwork cartridge using a 17mm spanner. Flush all debris out of the pipes and reconnect. Remove head parts using a 17 spanner
Flush pipework thoroughly and refit head part (7)
Refit all chrome parts.

MAINTENANCE

Screw Down Headwork – Low Pressure

Should a tap drip when fully turned off, turn off the water main supplies and remove the headwork to check that there is no debris embedded in the washer or lying across the seat. After use the washer may become worn and should be replaced by the correct ½" cartridge.

Ceramic Disc Headwork – High Pressure

We recommend a 400 KPA geyser with balanced pressure.

Should a tap drip when fully turned off, turn off the main water supplies and remove the cartridge. This is done by removing the handle, unscrewing the cartridge cover to reveal the cartridge hexagon. After use the seating may become worn or the ceramic cracked and should be replaced by the correct ½" cartridge.