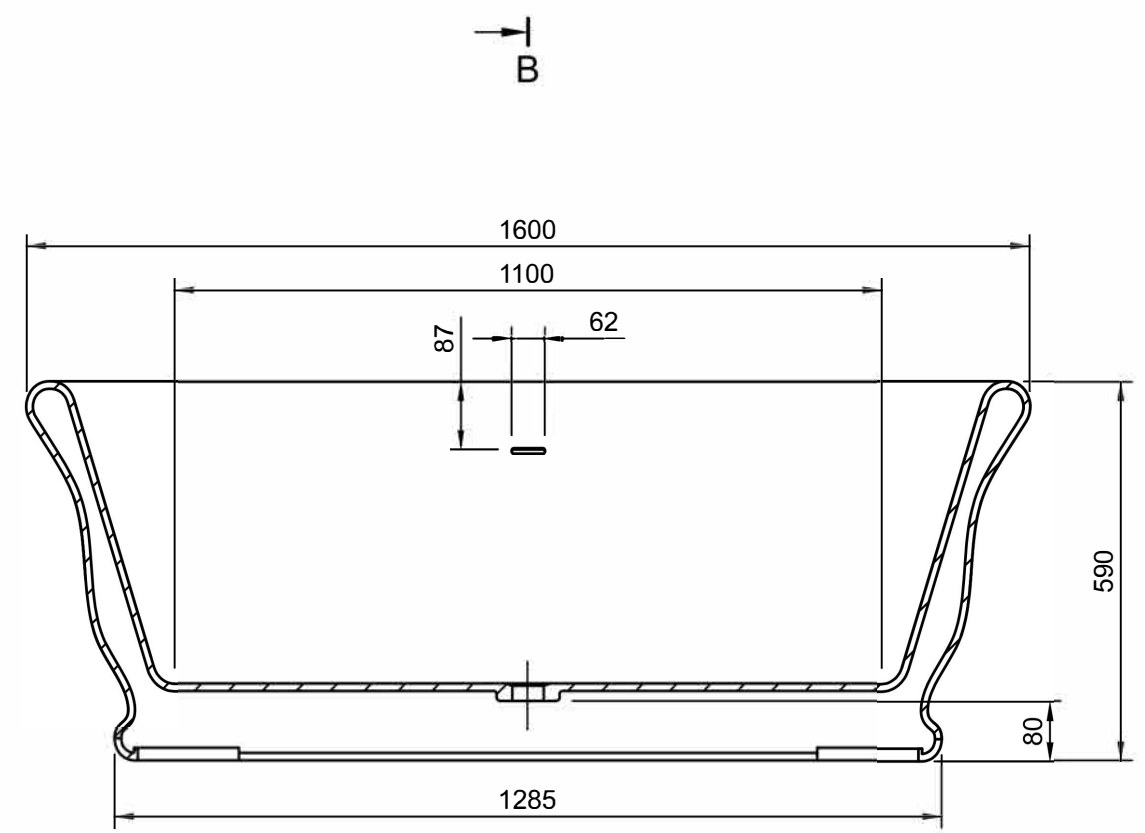


B-B (1:12)



A-A (1:12)



TOLERANCES ON ALL DIMENSIONS INDICATED $\pm 0.2\%$ PER 1000MM

REV	DRAWN	DATE	PARTICULARS

Scale 1:14 on A3	Weight 124 kg	Created by 2024/03/14	Approved by
		ALL DIMENSIONS ARE IN _mm	Document status
		Title Roman 1600 Bath (ROM004)	DWG No. 1 of 1
		Rev.	Date of issue 14/05/2025
		Sheet 1/1	