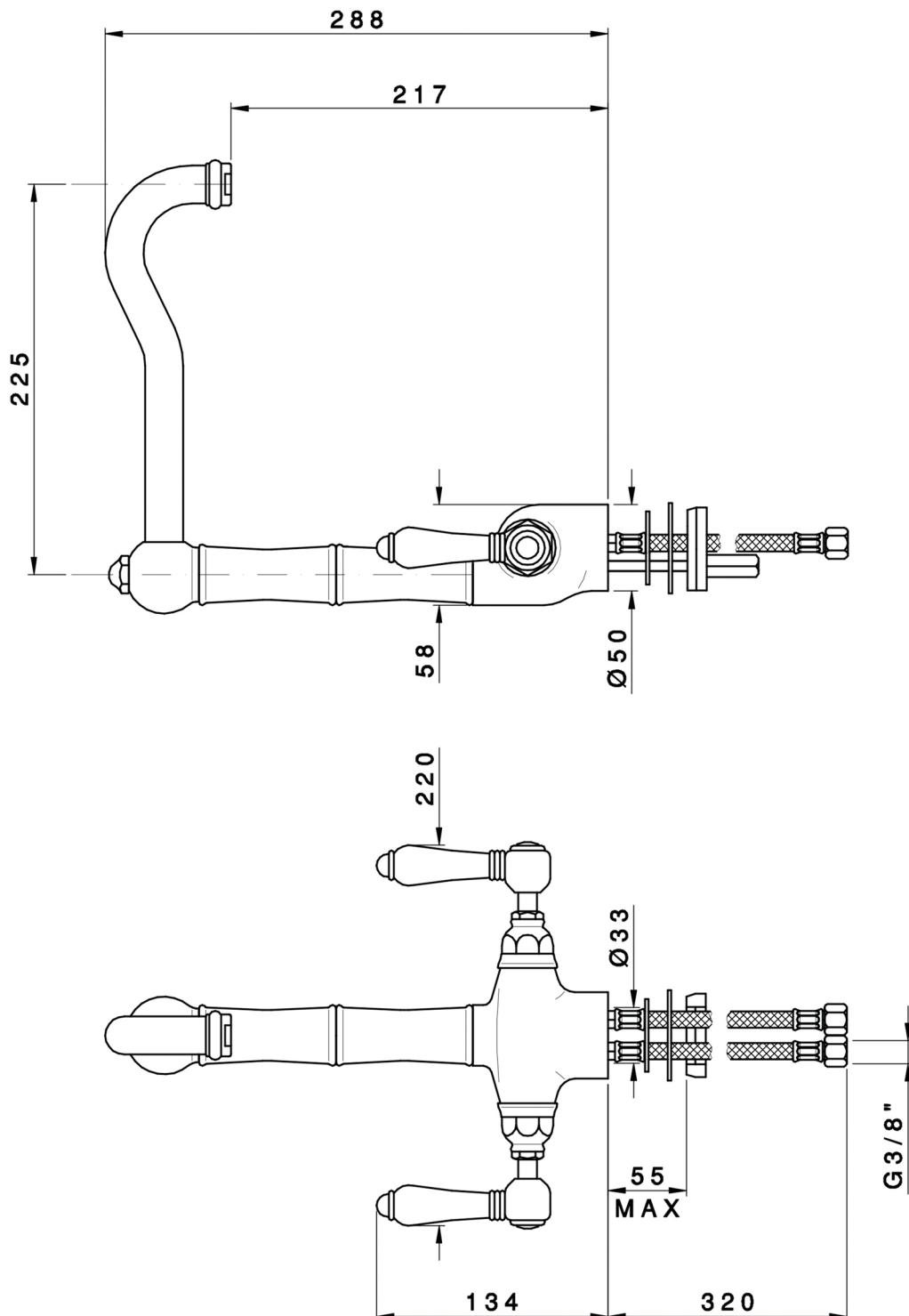




VICTORIAN BATHROOMS

Maria Two Lever Sink Mixer 1TH

Code: 21614060



Cape Town, Paarden Eiland 18 Marine Drive
Cnr Hermes Street, Paarden Eiland, Cape Town
Tel 021 418-0855

Johannesburg Shop 56, Hyde Park Corner
Middle Mall (parking level 4), Craighall, Johannesburg
Tel 011 325-5503

email info@victorianbathrooms.co.za
web victorianbathrooms.co.za

Warehouse & Distribution

18 Marine Drive, Cnr Hermes Street, Paarden Eiland
7420, Cape Town, South Africa
Tel +27 (0)21 418-0855

PO Box 23770, Claremont, 7735, South Africa

Victorian Bathrooms CC - Registration No 1991/018681/23
Member: The Goodale Family Trust -
Represented by LMS Goodale & M E Goodale