

# INSTRUCTION MANUAL

BS01051834

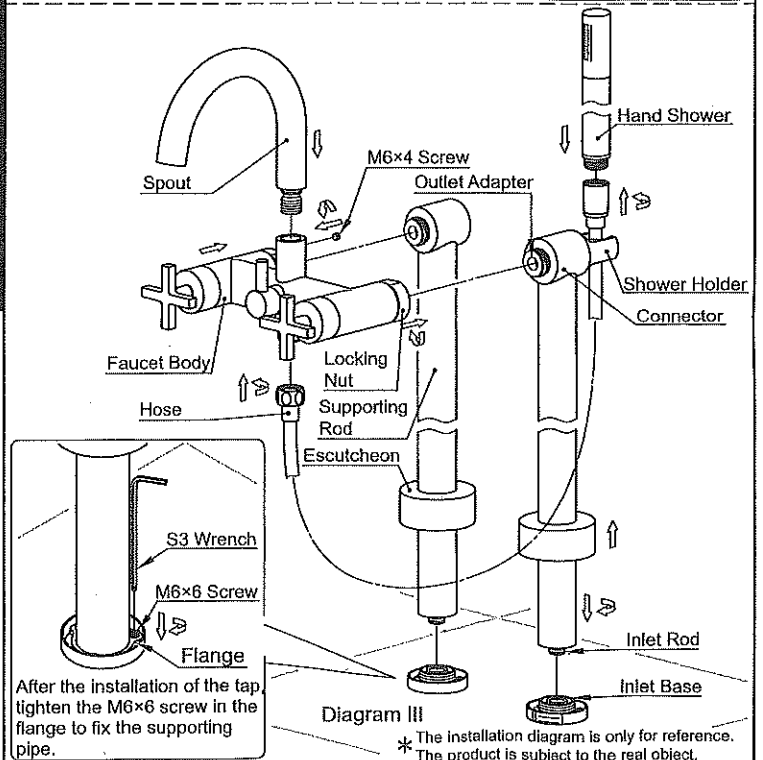
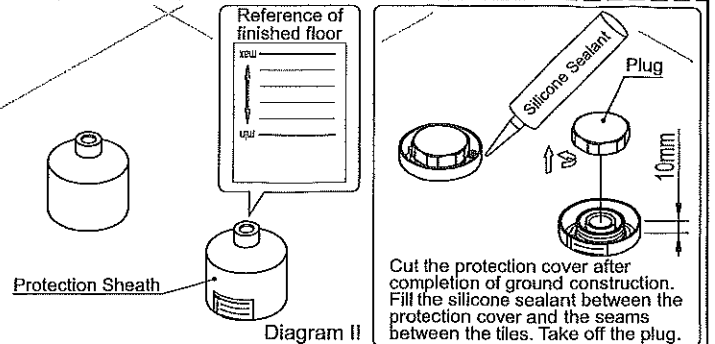
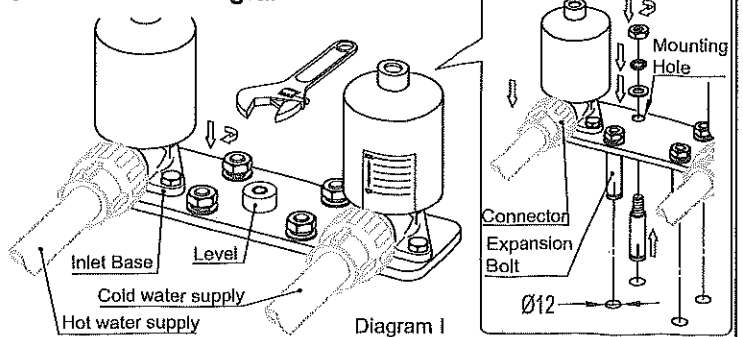
## I. Installation Notice

1. Please lay water pipes in accordance with this manual.
2. Floor drain should be installed on the site.
3. Mixers except the valve body should be installed only after the completion of house interior decoration in case paint or other chemicals erode the mixer surface. Prior to this, the protection sheath on the valve body shall not be removed.
4. Clean pipes to get rid of mud, sand or other debris blocked in pipes before installation.
5. Check whether the threads can be matched. Otherwise, installing forcefully will damage the components.
6. After installation, check all the joints to make sure they are firmly connected. Then keep water flow. Turn on and off repeatedly to ensure no leaking problem. After that, the product is ready for normal use.
7. Hand over the manual to users.

## II. Operation Notice

1. The product is used under water pressure 0.05~1.0 MPa, water temperature 4~90°C.
2. Do not hang heavy things on the mixer.
3. Remember to turn off the mixer when no water comes out of it, especially when the water supply is out off or during the decoration period or the room is unoccupied.
4. Clean the surface of mixer regularly to keep it glossy. Note: Please do not use inappropriate tools such as sharp brushes, rough sponges, scouring pads or corrosive detergent. And it is not recommended to use the detergent sold in the market, because its formula changes frequently. Please clean the mixer with wet cloth and soapy water after some time of usage. Then rinse the soap off with clean water and dry with a soft cotton cloth.
5. When indoor temperature drops below 0°C, take necessary measures (keep mixer warm, close windows) to prevent the mixer from frost cracking, especially when windows are kept open for ventilation while nobody in the house.
6. Run cold water first and then run hot water, adjust the temperature before in use. Do not touch the hot water area of the mixer to avoid injury.
7. Do not disassemble the product without help from the professionals.

## ■ Installation Diagram:



## ■ Steps:

1. As shown in Diagram I, mark positions based on the mounting holes of the rough-in base and drill holes. Wrap pipe connectors with Teflon tape and connect them to the rough-in base. Choose appropriate length for water supply pipes. Install four expansion bolts into the rough-in base and tighten the hex nut. Purge the pipes before installation to remove debris in the pipes. Connect the hot and cold water supply pipes onto the rough-in base. Attention: hot water supply on the left and cold water supply on the right.
2. Run water, pressurize for two hours. Check all the joints to ensure no leakage.
3. Install tiles as shown in Diagram II. Make sure the distance between the center of inlet base and finished floor is 25 - 50 mm. Cut the excessive part of the protection covers, starting from the outside without cutting the inside part. Clean the debris inside the protection covers. The top of the protection cover should be higher than finished floor by 10mm. Fill the silicone sealant between the protection covers and the tile seams. Take off two plugs on the inlets bases.
4. Install the escutcheons on the supporting rods, then mount the inlet rod onto the inlet base accordingly. Connect the supporting rods to the inlet base, tighten the thread to the end. Keep two outlet adapters on top of the supporting rods parallel, with both adapters faces the bathtub.
5. Install the faucet body, tighten the locking nuts, then tighten the M6x6 screws on the flanges to fix the supporting rods. Lower the escutcheons against the finished floor. Mount the spout with M6x4 screw. Connect the hose and hand shower.
6. Run water to double check if the installation is proper.