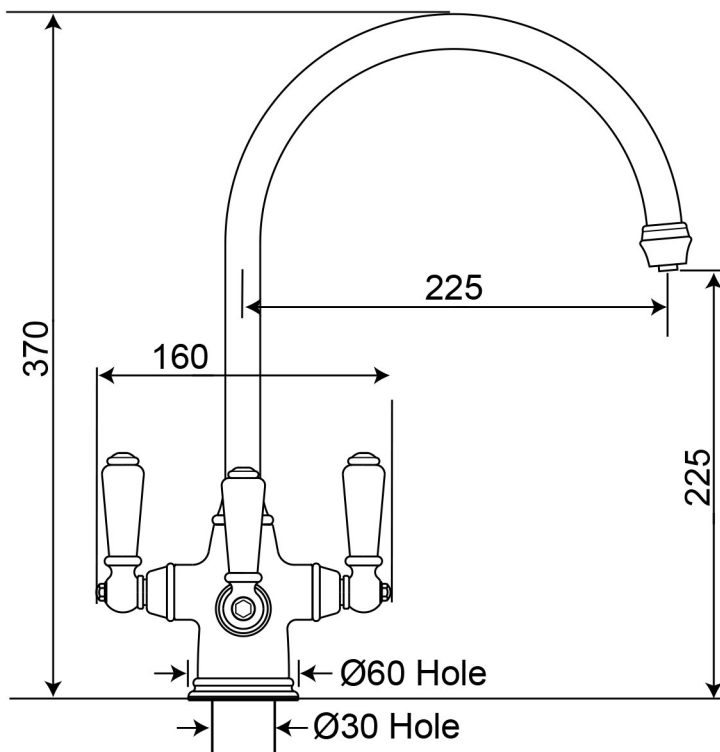




TRIFLOW®

# Specification 1560

- 1/4 turn ceramic disc flow control.
- vernier insert for accurate handle alignment.



Temp Range:

min 1°C/34°F

max 85°C/185°F

Recommended working pressure:

min 1.7 bar/25.5psi

max 5 bar/75psi