

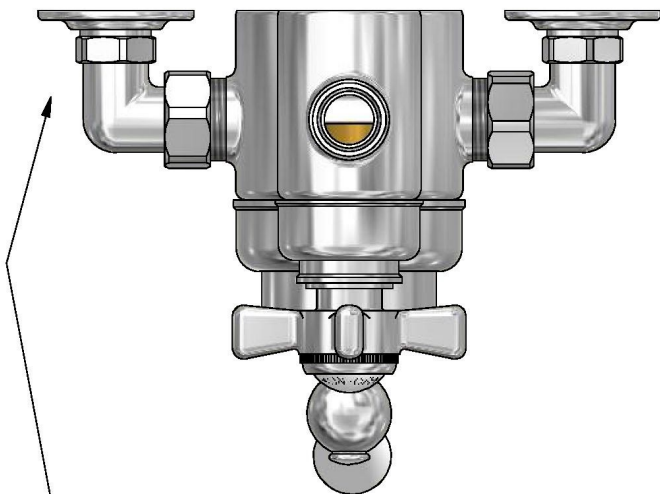
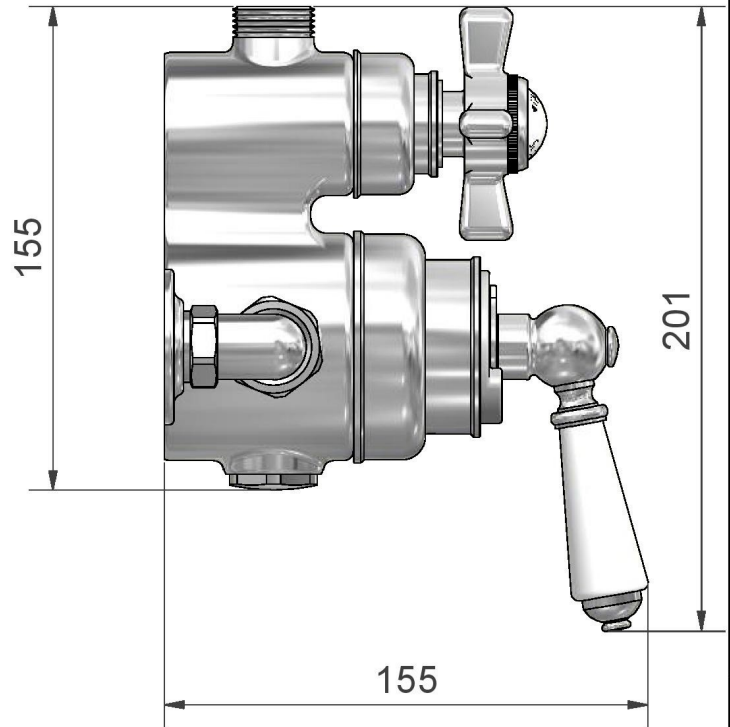
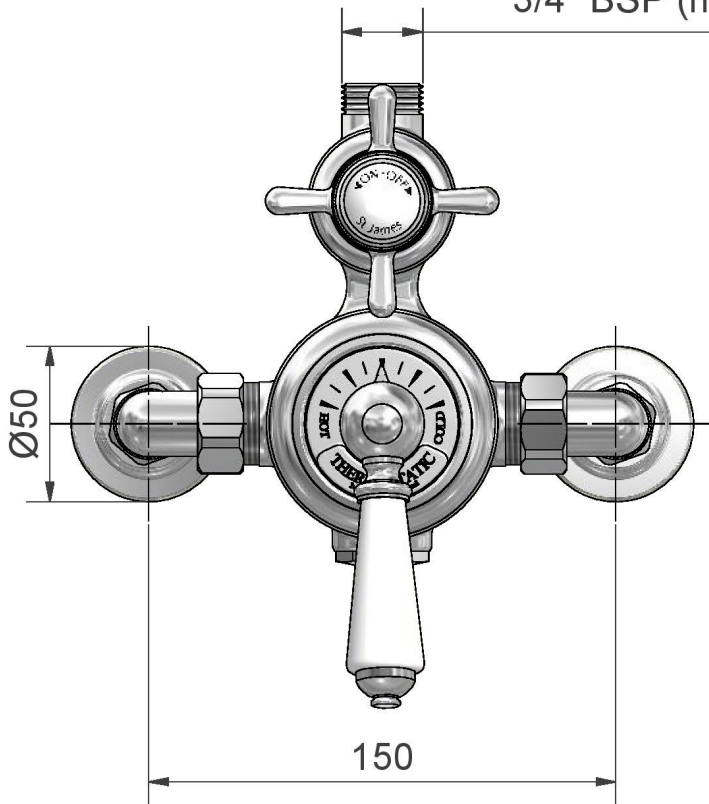
Range : St. James

Description : Exposed Thermostatic Shower Valve

Date : May 2015

Unless otherwise stated, all dimensions shown in "mm".

3/4" BSP (m/c'ed for 18mm Compression)



Supply connections are 15mm compression, and can be swivelled for top, bottom or through wall feed. Hot is on left, cold is on the right (viewed from front).

For through wall supplies 17mm lengths of 15mm copper protruding from finished wall face are required.

