

Assembly

- The product should only be installed by a suitably qualified plumber/installer.
- Mount the cistern securely on the wall at the height of 2060mm from the underside of the cistern to the floor using the fixing holes through the rear of the cistern (**See hint 1**).
- Join the two **flush pipes** together and silicone the joint.
- Use the **brass fixing nut** (as part of the **decorative cover**) to fix in the cistern fittings. Place the **decorative cover** and **plastic fixing nut, plastic washer, cone shaped washer** (supplied as parts of the cistern fittings) over the top of the **flush pipe** (longer end of the **flush pipe**) and insert into the **threaded siphon stem** (supplied as part of the cistern fittings). Once the **flush pipe** is secured by the **plastic fixing nut**, screw the **decorative cover** up to the **brass fixing nut**.
- Insert the lower end of the **flush pipe** into the pan via the **flush cone** (supplied as part of the cistern fittings).
- Locate the **buffer clip** so as to prevent collision between the seat and flush pipe. This **buffer clip** will also secure the **flush pipe** to wall by fixing the **buffer clip** upto wall.
- Mount the **ornate brackets** using the screws provided snugly under the cistern (**See hint 2**).

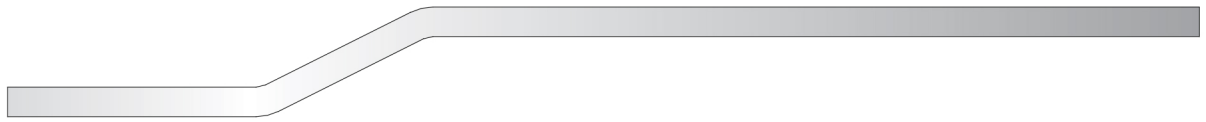
HANDY HINT

1. When installing your cistern, ensure that the **rubber spacing washers** are used to create a small gap between the cistern back and the wall. There are two reasons for this; firstly it will help to reduce the possibility of condensation when cold mains pressure is contained within a humid environment and secondly, the gap will help prevent “thermal shock”. This is when rapid temperature change occurs (usually overnight) and causes the wall to contract or expand, thus cracking the sanitaryware. When fixing the cistern to the wall it is advisable to insert the screw through a washer (not supplied) on the inside of the cistern. This will prevent the screw damaging the sanitary ware when the screw “bites”.

* If required, for example if the wall is not level, please add additional spacers which are not provided to ensure the cistern is level for fixing to the flush pipe.

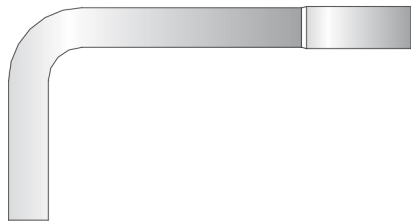
2. **The ornate brackets are purely decorative.** They should not be used as support for the cistern. Always ensure that the cistern is firmly and securely fixed to the wall via the fixing holes at the rear of the tank.

Parts supplied:



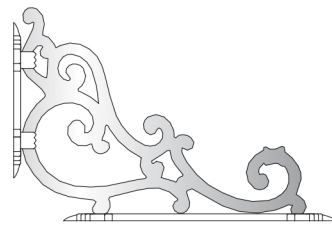
upper flush pipe

1x



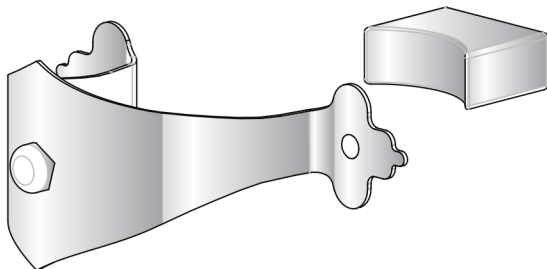
lower flush pipe

1x



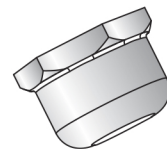
ornate bracket

2x



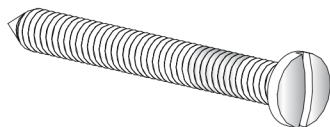
buffer clip

1x



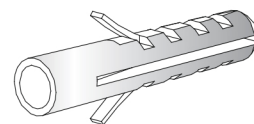
decorative cover & brass fixing nut

1x



screw

12x



rawl plug

12x



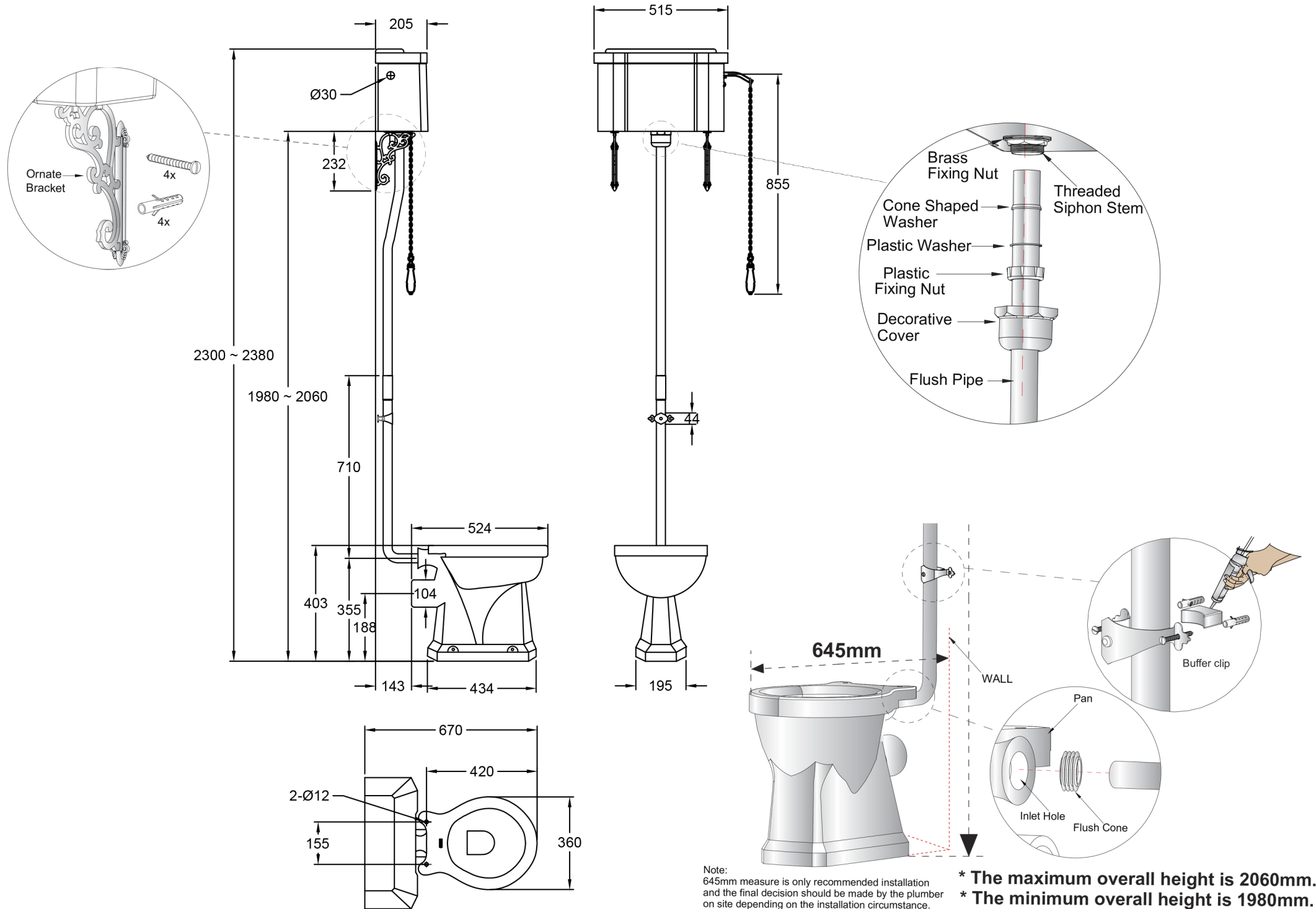
rubber spacing washer

4x



pin screw

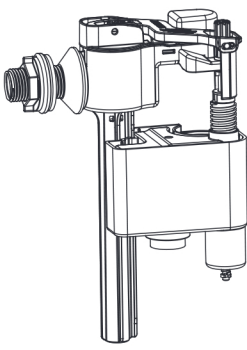
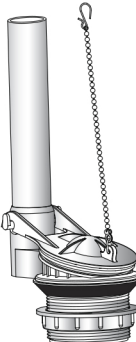

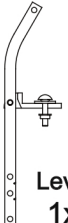

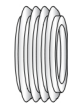

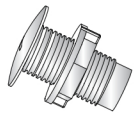
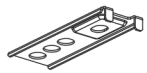


1x



Note:
 645mm measure is only recommended installation
 and the final decision should be made by the plumber
 on site depending on the installation circumstance.

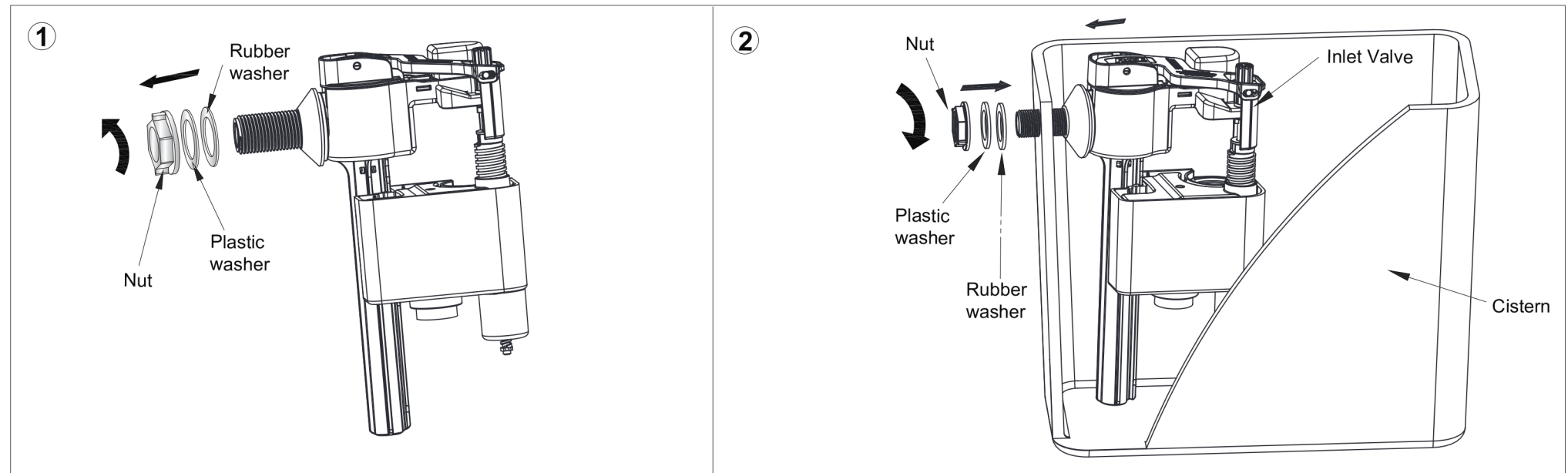
* The maximum overall height is 2060mm.
 * The minimum overall height is 1980mm.

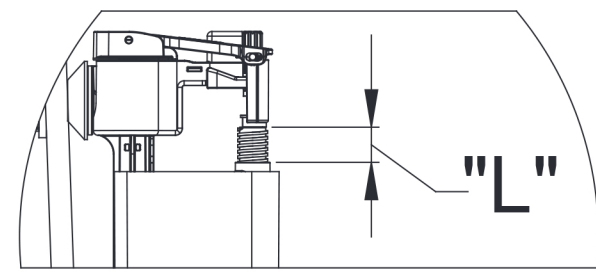
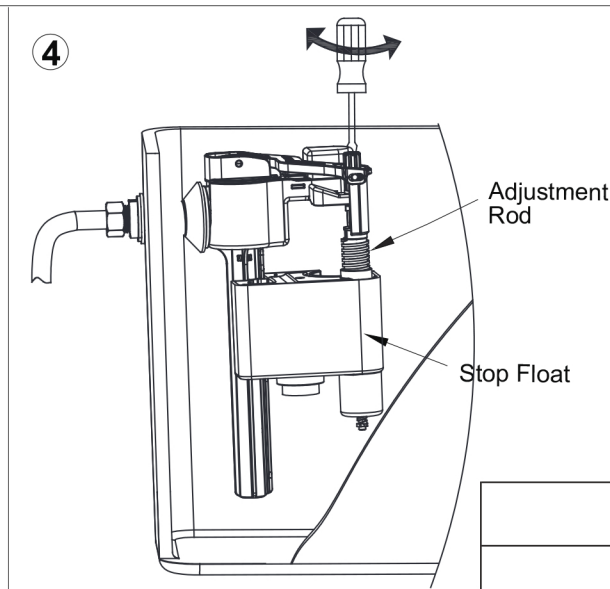
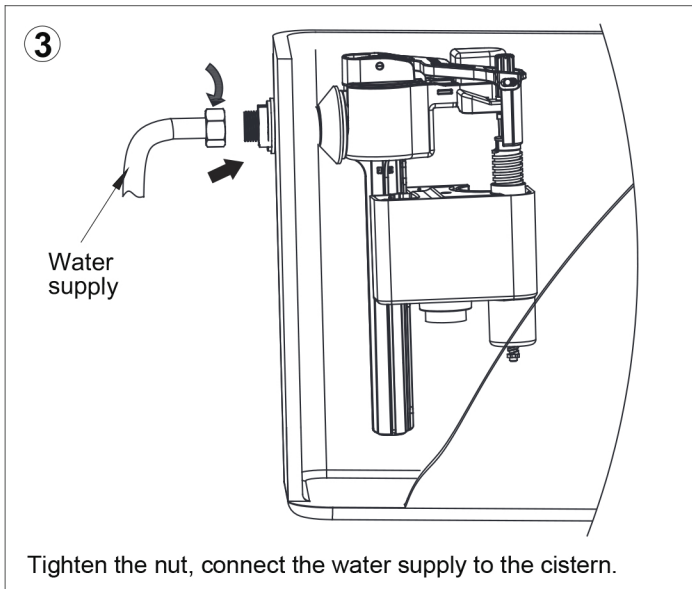
Parts supplied:

						Flush Cone 1x
Inlet Valve 1x	Flush Valve 1x	Handle 1x	Lever 1x	Spring 1x		Plastic Washer 1x
						Cone Washer 1x
		Cover 2x	fixing block 1x			Fixing Nut 1x

- Please read these instructions carefully to avoid damage to the valves, and to ensure correct installation.
 - Do not use bleach or bleach based cleaning products in the cistern, as these will cause damage to the seals.
- We cannot be held responsible or liable for any failure which results from the use of bleach based products.
- Water temperature range +2C to +45C.
 - Water pressure 0.2 to 8 bar.

1: Inlet Valve installation and adjustment settings

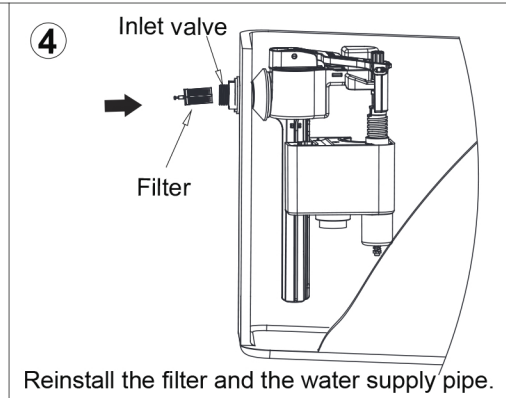
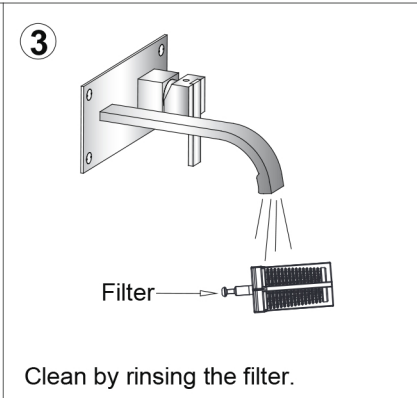
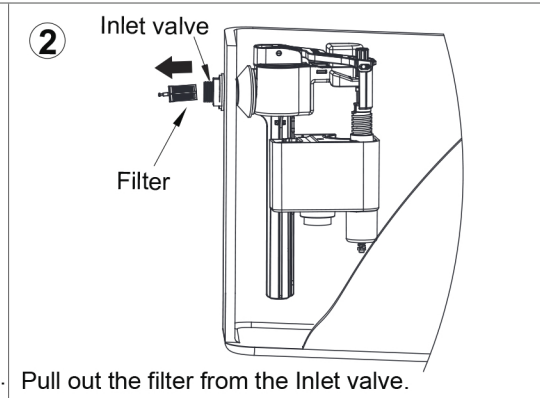
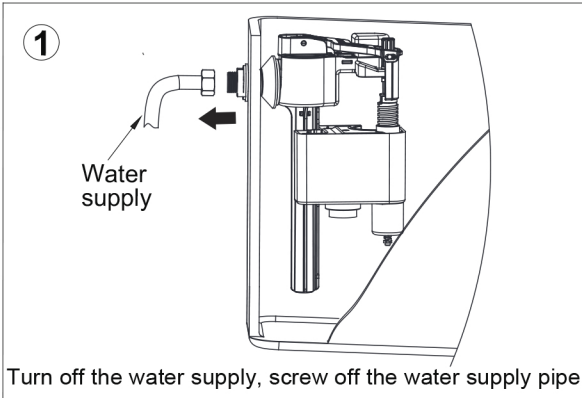




Adjustment the rod:
 A: By adjusting clockwise the water level rises and flush volume increases.
 B: By adjusting anti-clockwise the water level falls and the flush volume decreases.

Item	L (mm) 6L full flush	L (mm) 4.5L full flush
C28S	47	67

2: Filter cleaning (Please clean periodically)

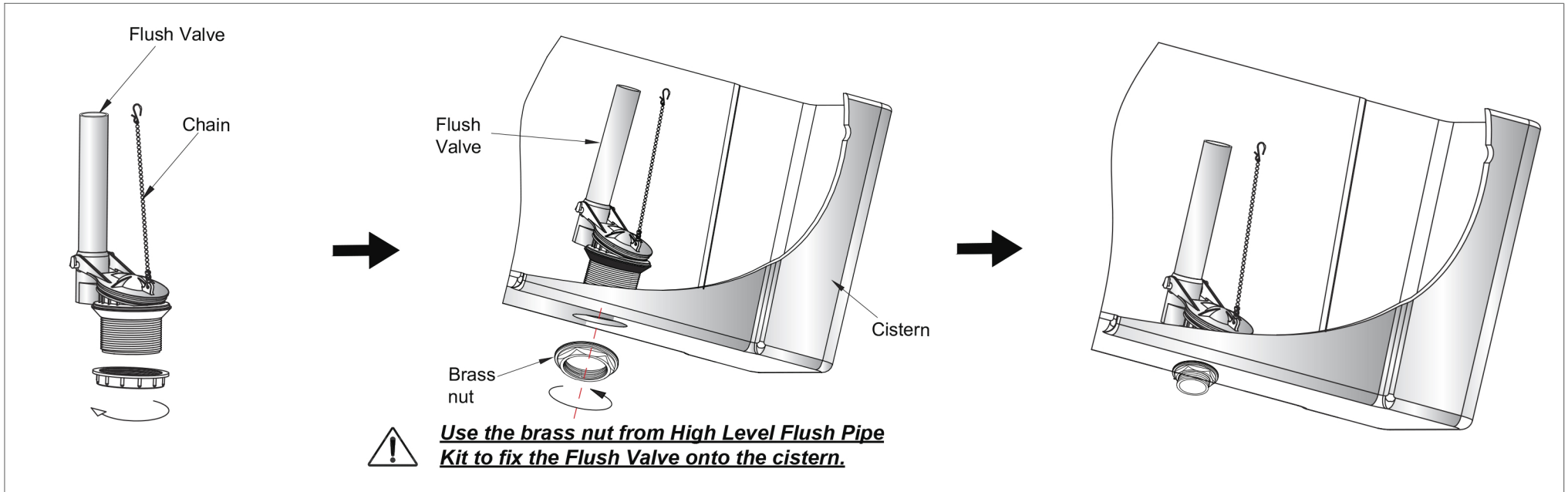


3: Inlet Valve trouble shooting

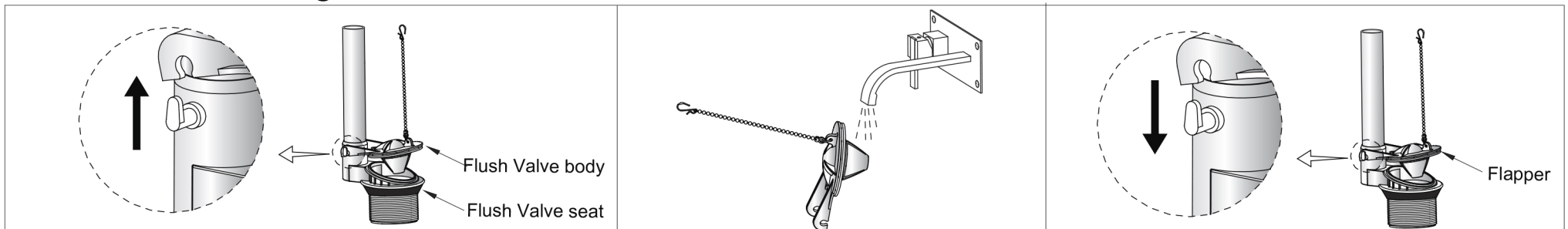
Problem	Reason	Solution
Incorrect water level	Incorrect adjustment.	Adjust the Water level correctly as per diagram above.
Inlet Valve does not work	Water supply is closed.	Open the water supply
	The filter is blocked.	Clean the filter.
	The Stop Float has been over adjusted beyond its operational range.	Adjust the adjustment rod.
Leakage	The Inlet Valve fixing nut has not been tightened.	Tighten the nut.

Flush Valve Installation And Problem Solving

1: Flush Valve installation



2: Flush Valve Cleaning

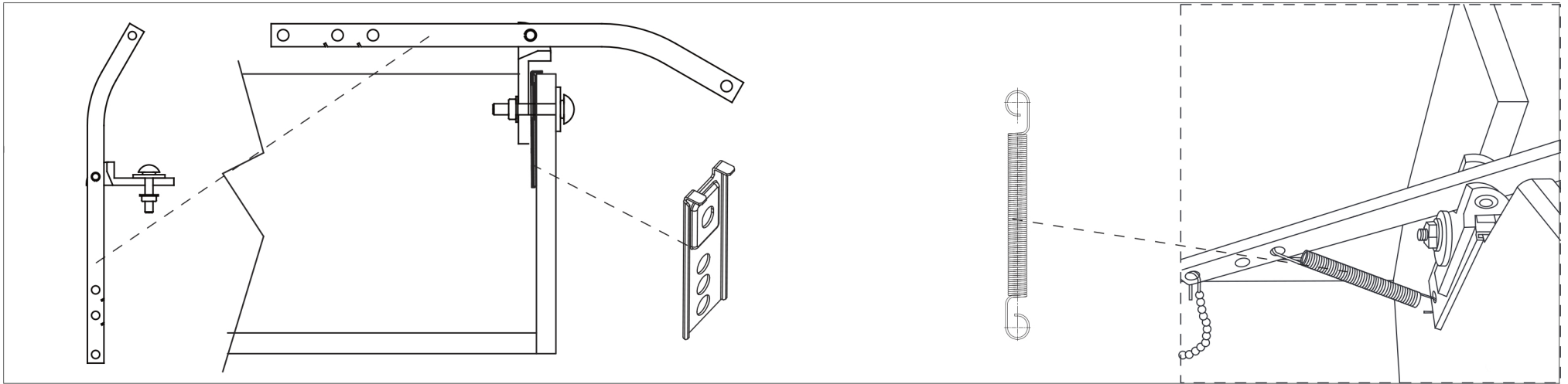


3: Flush Valve trouble shooting

Problem	Reason	Solution
Leakage	<ol style="list-style-type: none"> 1. Incorrect installation. 2. Flush valve body is stuck. 3. Chain is too short. 4. The flapper doesn't adhere to the flush valve seat. 	<ol style="list-style-type: none"> 1. Install again according to the correct installation procedure. 2. Unpick and wash flush valve body. 3. Readjust the length of chain. 4. Install again.
No flush, low flush or half flush volume	Chain is too long.	Readjust the length of chain.

Flush Lever Installation

1: Install Flush Lever Onto Cistern



2: Connect Flush valve With Flush Lever

